

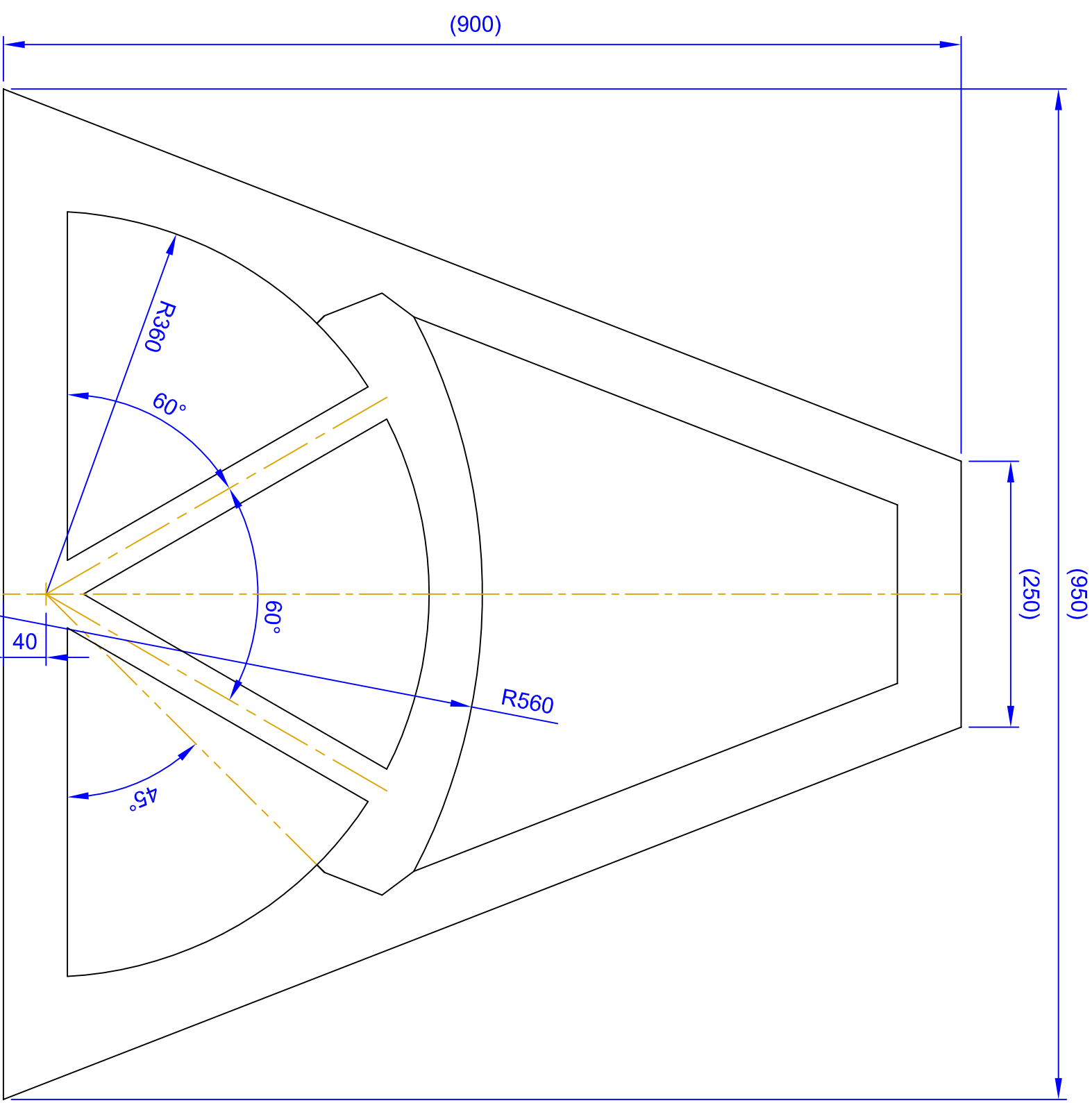
1

2

PRODUCED BY AN AUTODESK EDUCATIONAL PRODUCT

5

6



CENTRE POINTS - KEY SETTING OUT

Test Project for the 43rd WorldSkills
 Competition in São Paulo, Brazil 2015.
 Copyright © 2015 WorldSkills International.
 All Rights Reserved.



Skill: JOINERY SKILL 25

Scale: 1:5

Paper: A3

Drawn / Design by: John Joe O'Reilly

Drawing No: WSC2015_TP25_JE_O2_EN.DWG

Description: KEY SETTING OUT

Rev: 0

Page: 02 of 03

Appd: Jose Fonseca

Sign:

1

2

PRODUCED BY AN AUTODESK EDUCATIONAL PRODUCT

5

6