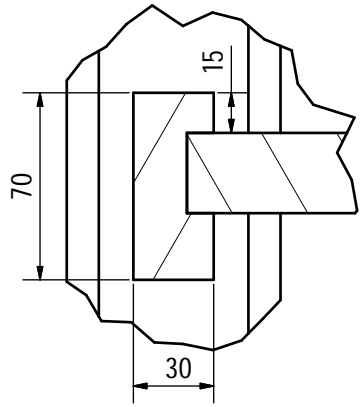
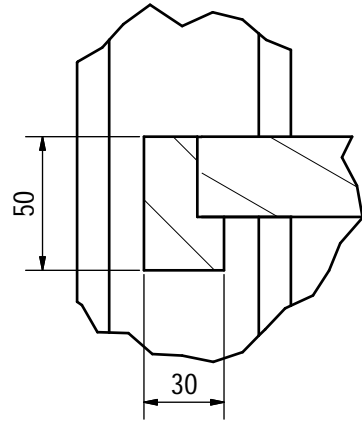


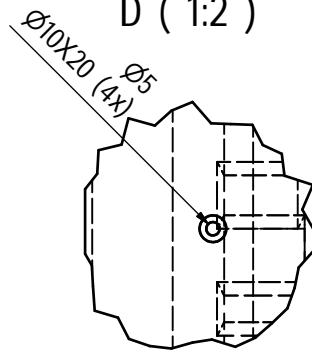
B ( 1:2 )



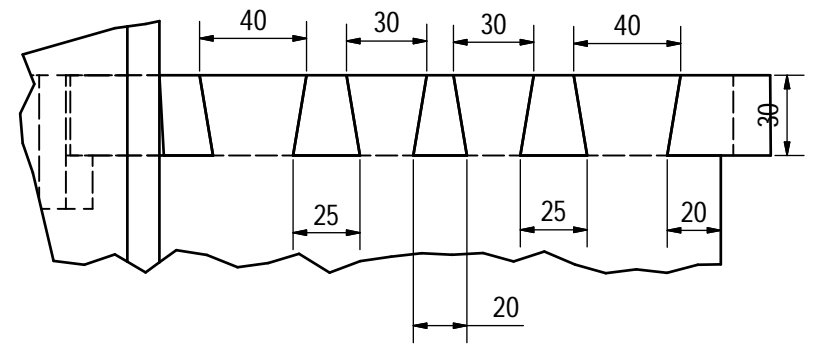
C ( 1:2 )



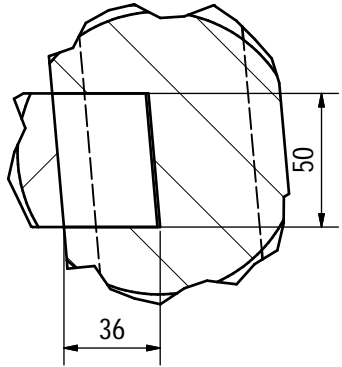
D ( 1:2 )



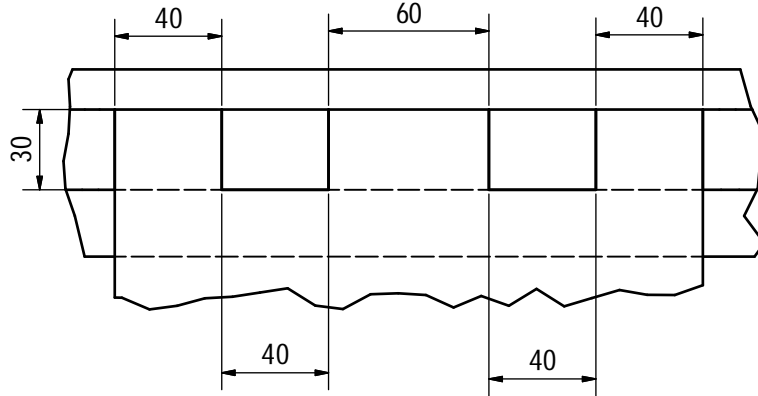
E ( 1:2 )



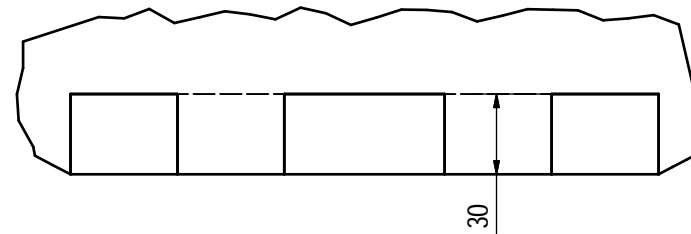
F ( 1:2 )



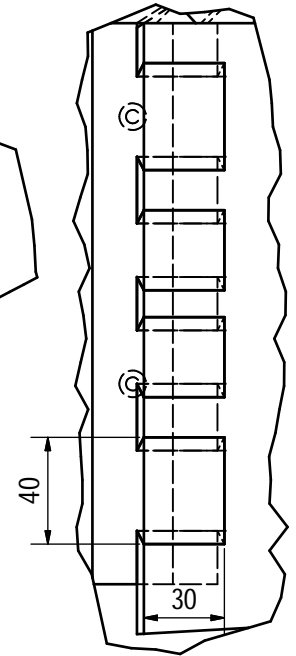
G ( 1:2 )



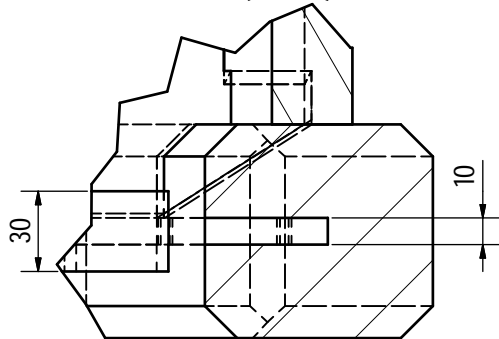
J ( 1:2 )



H ( 1:2 )



K ( 1:2 )



Test Project for the 43<sup>rd</sup> WorldSkills  
 Competition in São Paulo, Brazil 2015.  
 Copyright © 2015 WorldSkills International.  
 All Rights Reserved.



Joinery			
1/10	2015/04	A2	
Cleder Bez Batti			WSC2015_TP25_3D_BR_01_EN
			01 of 01