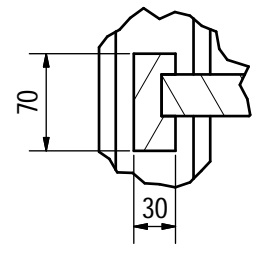
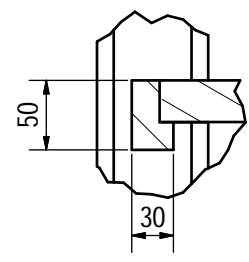


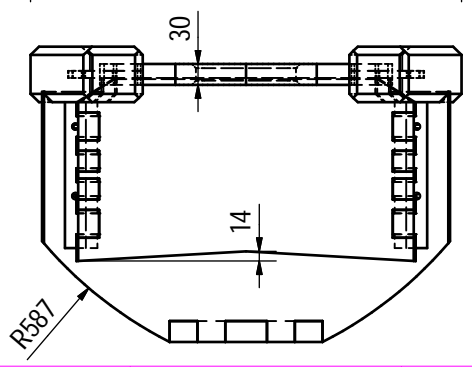
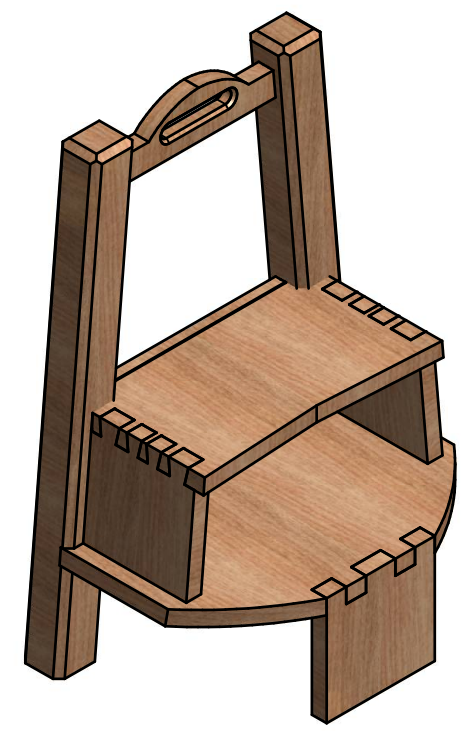
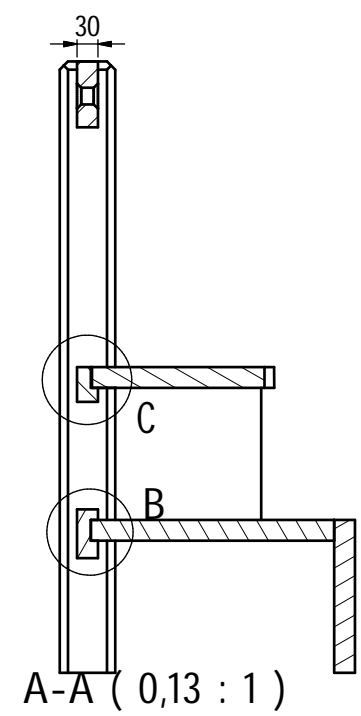
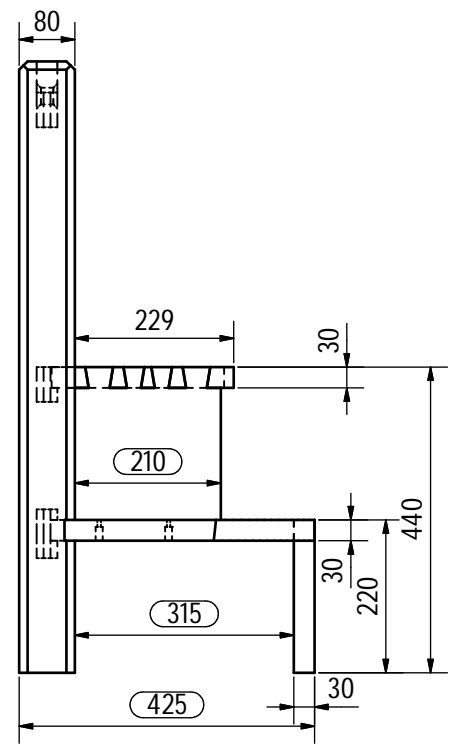
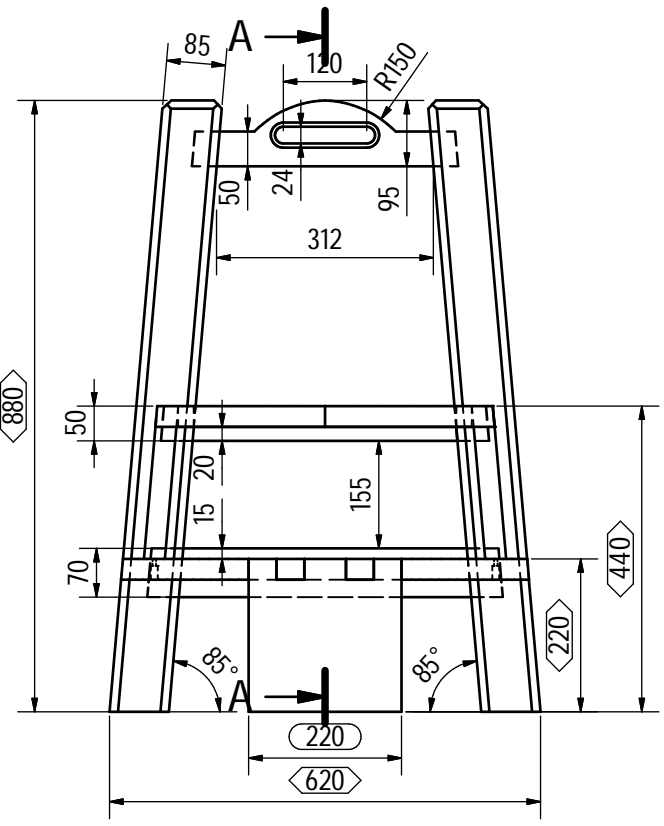
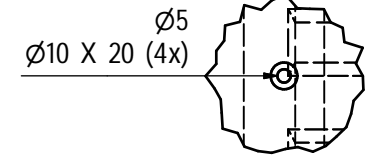
B ( 0,26 : 1 )



C ( 0,26 : 1 )



D ( 0,5 : 1 )



Test Project for the 43<sup>rd</sup> WorldSkills  
 Competition in São Paulo, Brazil 2015.  
 Copyright © 2015 WorldSkills International.  
 All Rights Reserved.



Carpentry Team Challenge 26			
1/10	2014/10	A2	
HANTOS, Zoltan			WSC2015_TPXX_AA_BB_EN
Test Project for 4 EuroSkills Lille, France 2014			02 of 03